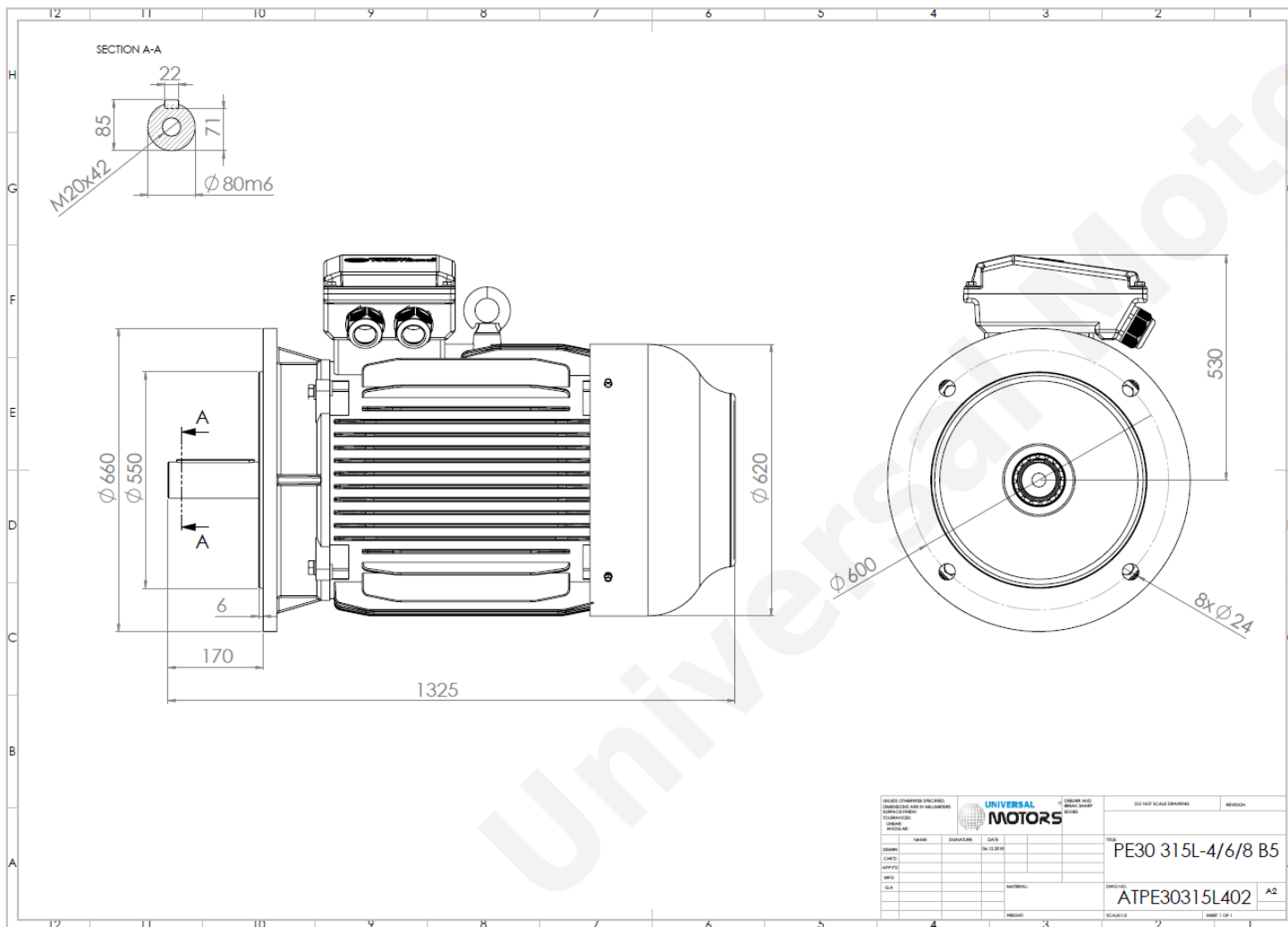




TECHNICAL DATA

Three Phase Electric Motors - Cast Iron Frame
 PE30 315 L1 4 IE3
 160 kW / 220 Cv
 1485 RPM



Motor type:	PE30 315 L1 4 IE3
Output:	160 kW / 220 Cv
Speed (min ⁻¹):	1485 RPM
Frequency:	50 Hz
Voltage:	400 V
Current:	271 A
Power factor (Cos Ø):	0.89
Poles:	4
Insulation class:	F
Temperature rise Class:	B
Efficiency 50%:	94.9 %
Efficiency 75%:	95.8 %
Efficiency 100%:	95.9 %
Torque:	1029 N.m
Tstarting/Tnominal:	2.0
Istarting/Inominal:	7.1
Tmaximum/Tnominal:	2.2
Noise:	77 Db(A)
Weight:	1120 Kg
Bearing DE:	NU 319
Bearing NDE:	6319 C3

UNIVERSAL MOTORS DO NOT SCALE DRAWING		REVISION
DRAWN: _____ CHECK: _____ APPROVED: _____ DATE: 24.12.2018	TITLE: PE30 315L-4/6/8 B5	SHEET: 1 OF 1
MATERIAL: ATPE30315L402	SCALE: 1:1	A2

Regime - S1

Altitude - 1000m

Environment Temperature - 40°C

CONTACTS:

UNIVERSAL MOTORS Tel: +351 252 299 080
 Rua de São Brás,745 Fax: +351 252 299 089
 4480-782 VILA DO CONDE Mail: geral@universalmotors.pt

* References applied only in the UK